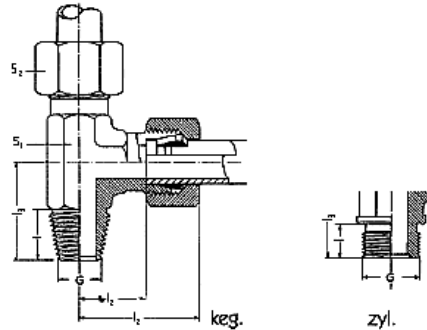


Male Barrel Tee Coupling

seriesThread: DIN 3858
Whitworth Form C, DIN 3852 part 2
DIN/ISO 228
Whitworth, Form B, DIN 3852 part 2



series	PN	Ra	G	i	S2	S1	L2	l2	l3	weight %	article
LL	100	4	R 1/8 keg.	8	10	9	21	11,0	17	2,9	LEV-04LLRK 1/8
		6	R 1/8 keg.	8	12	9	21	9,5	17	3,5	LEV-06LLRK 1/8
		8	R 1/8 keg.	8	14	12	23	11,5	20	4,7	LEV-08LLRK 1/8
L	250	6	R 1/8 keg.	8	14	12	27	12,0	20	5,0	LEV-06LRK 1/8
		8	R 1/4 keg.	12	17	12	29	14,0	26	7,0	LEV-08LRK 1/4
		10	R 1/4 keg.	12	19	14	30	15,0	27	8,5	LEV-10LRK 1/4
		12	R 3/8 keg.	12	22	17	32	17,0	28	16,2	LEV-12LRK 3/8
		15	R 1/2 keg.	14	27	19	36	21,0	34	21,0	LEV-15LRK 1/2
		18	R 1/2 keg.	14	32	24	40	23,5	36	26,7	LEV-18LRK 1/2
		160	22	G 3/4 A	16	36	27	44	27,5	26	35,4
	28	G 1 A	18	41	36	47	30,5	30	51,0	LEV-28LR 1	
	100	35	G1 1/4 A	20	50	41	56	34,5	34	81,6	LEV-35LR 1 1/4
		42	G1 1/2 A	22	60	50	63	40,0	39	136,5	LEV-42LR 1 1/2
		S	630	6	R 1/4 keg.	12	17	12	31	16,0	26
		8	R 1/4 keg.	12	19	14	32	17,0	27	11,0	LEV-08SRK 1/4
		10	R 3/8 keg.	12	22	17	34	17,5	28	16,0	LEV-10SRK 3/8
		12	R 3/8 keg.	12	24	17	38	21,5	28	24,3	LEV-12SRK 3/8
		14	R 1/2 keg.	14	27	19	40	22,0	32	26,4	LEV-14SRK 1/2
	400	16	R 1/2 keg.	14	30	24	43	24,5	32	30,7	LEV-16SRK 1/2
		20	G 3/4 A	16	36	27	48	26,5	42	46,0	LEV-20SR 3/4
		25	G 1 A	18	46	36	54	30,0	48	88,0	LEV-25SR 1
	250	30	G1 1/4 A	20	50	41	62	35,5	54	118,5	LEV-30SR 1 1/4
		38	G1 1/2 A	22	60	50	72	41,0	61	171,0	LEV-38SR 1 1/2

