



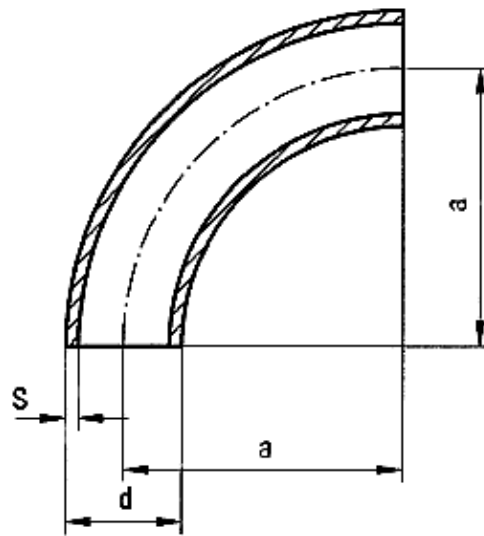
Elbows welded EN 10253-4 / DIN 2605-1 90° Norm 5 (R=2,5 D)

Surface pickled / sand blasted, tolerances acc. DIN 2609

Available from stock in material 1.4404 and 1.4571

On request with inspection certificate EN 10204/ 3.1

OD / wall thickness d x s	radius a	weight kg
18,5 x 1,5	45	0,03
21,3 x 2,0	45	0,07
23,0 x 1,5	60	0,07
26,9 x 2,0	57	0,10
28,0 x 1,5	80	0,10
33,7 x 2,0	72	0,16
38,0 x 1,5	105	0,17
42,4 x 2,0	93	0,18
43,0 x 1,5	120	0,25
48,3 x 2,0	108	0,36
54,0 x 2,0	150	0,60
60,3 x 2,0	135	0,60
70,0 x 2,0	160	0,85
76,1 x 2,0	175	1,05
84,0 x 2,0	160	1,20
88,9 x 2,0	205	1,40
104,0 x 2,0	200	1,80
114,3 x 2,0	270	2,20



Additional dimensions, materials and larger radii on request.

